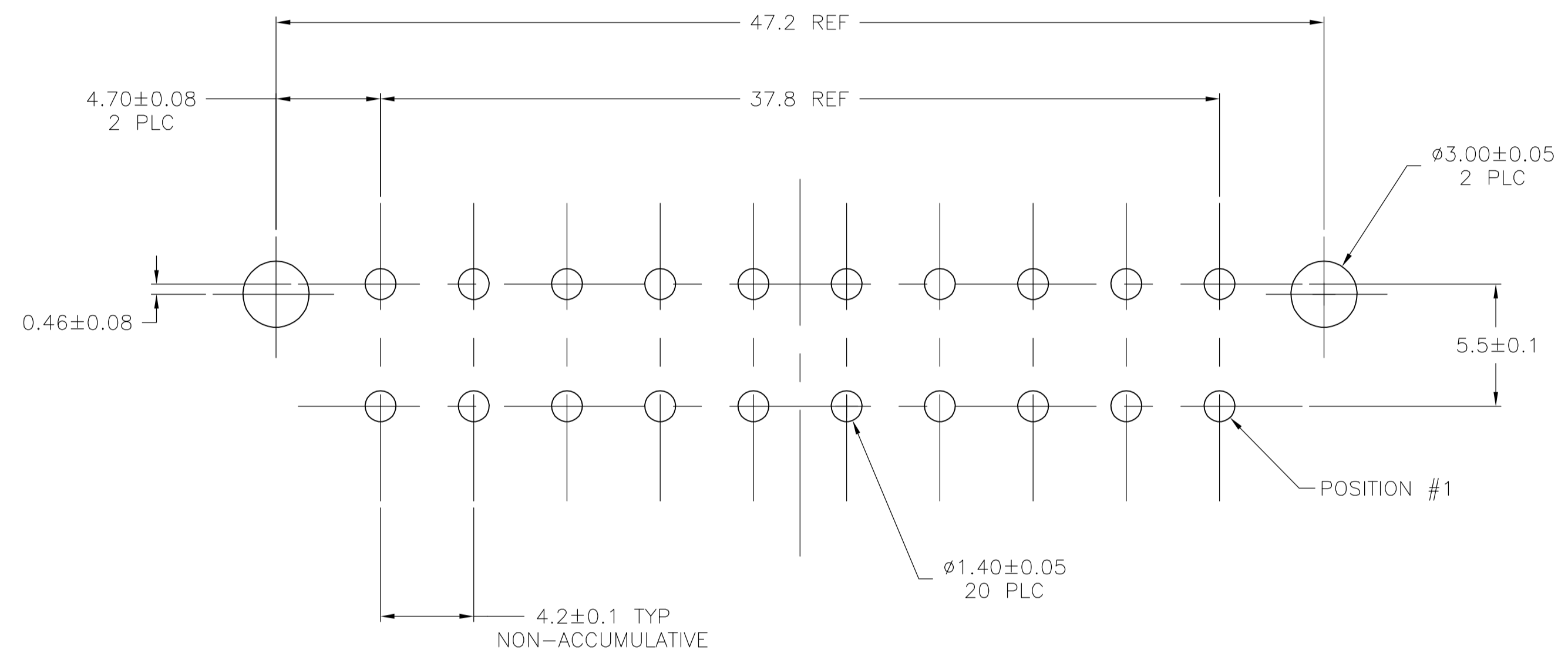
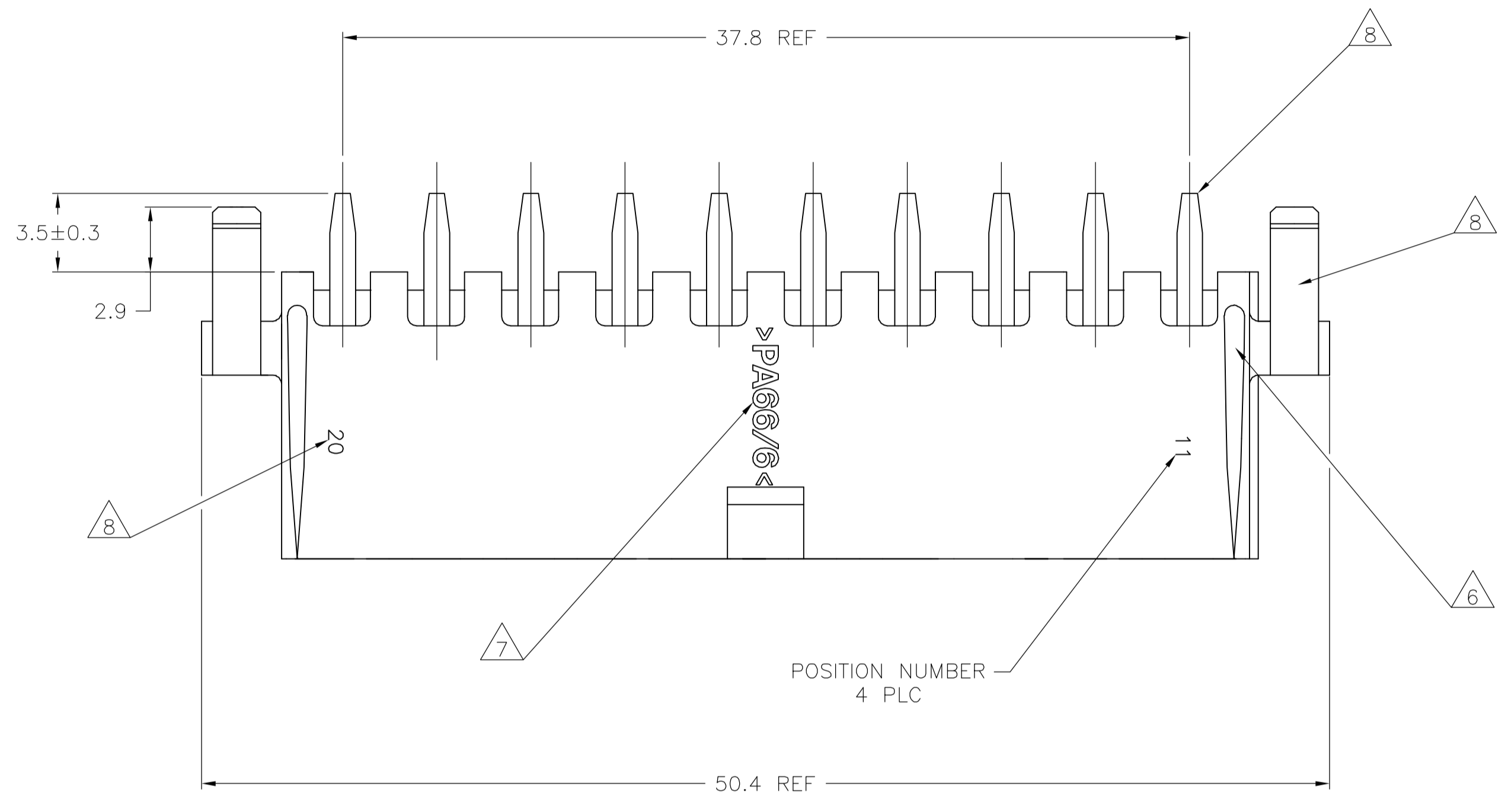
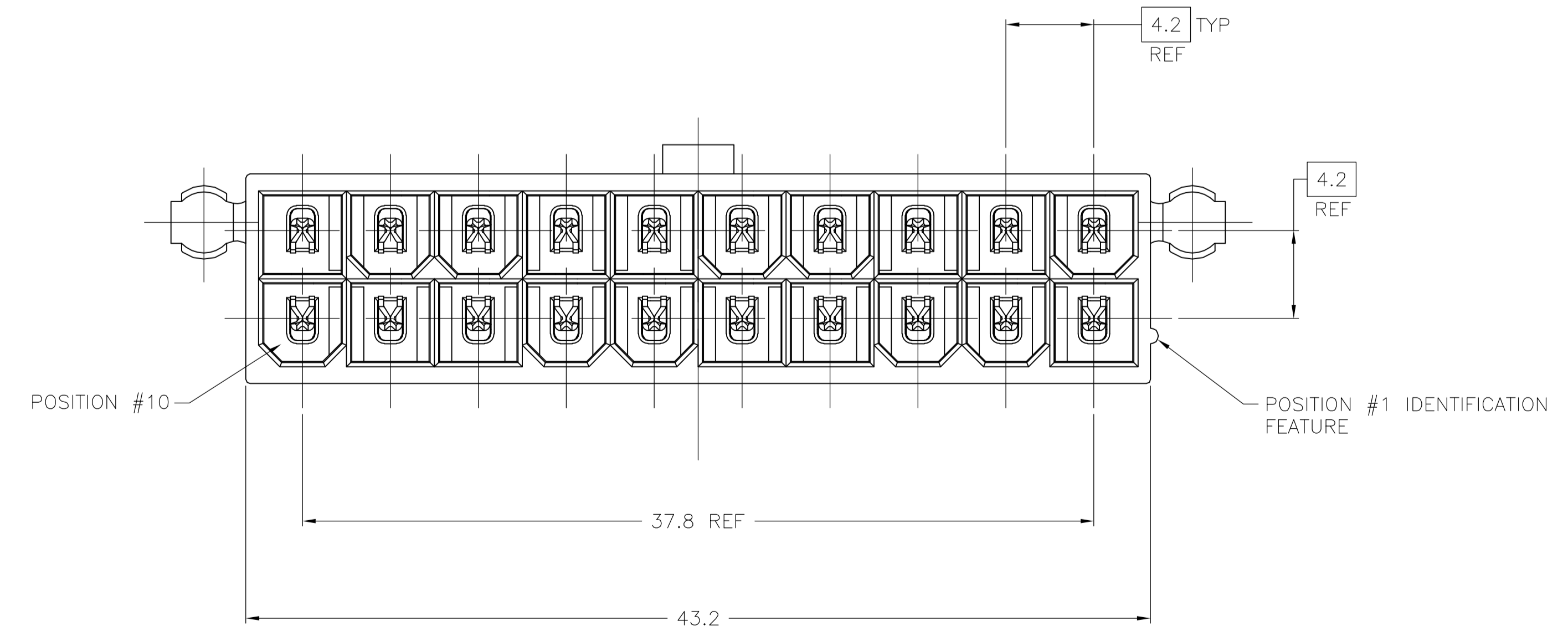
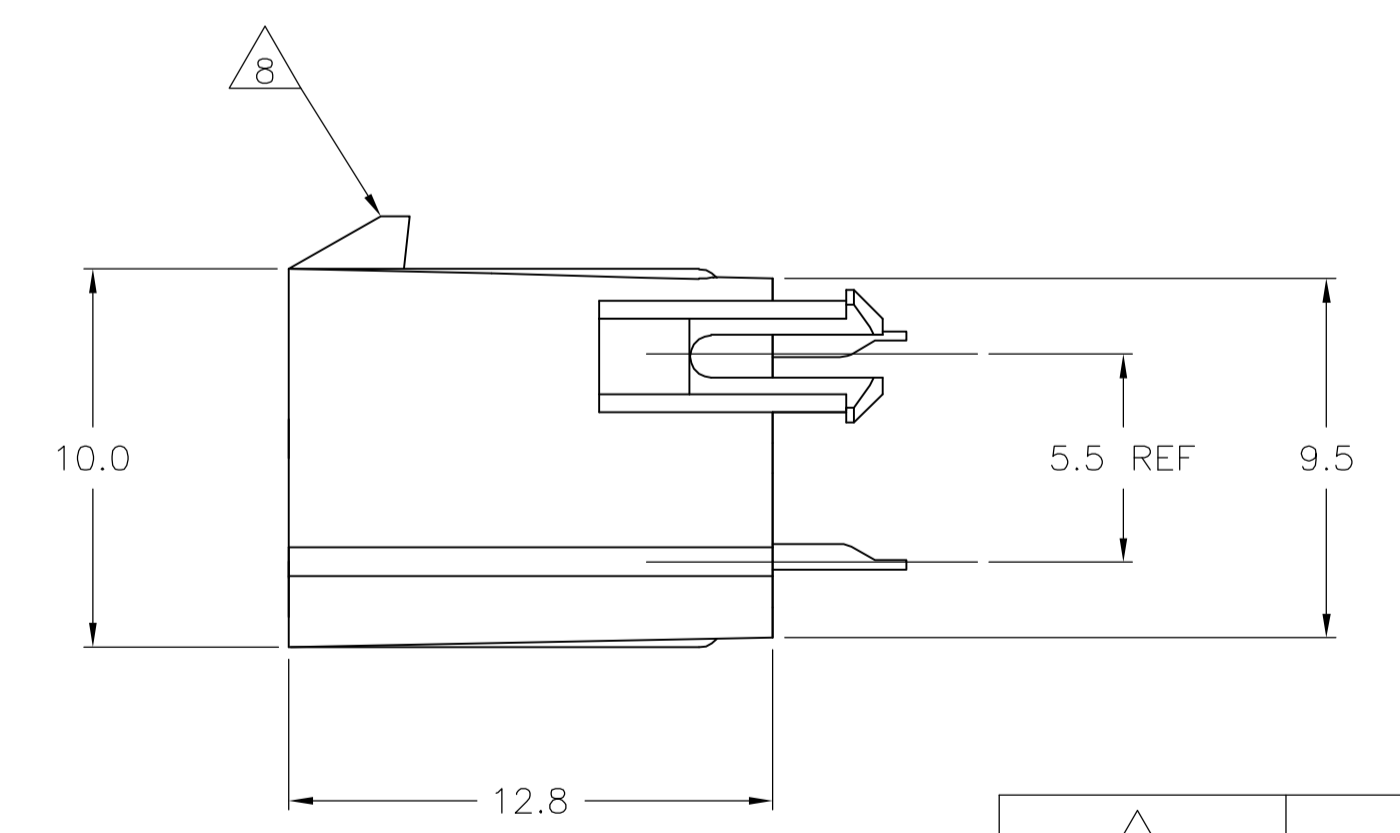


LOC		DIST		REVISIONS			
CM	O	REV	DATE	BY	APPV	DATE	BY
E		ECO-06-013135	22JUN06	BSV	DC		

- 1 MATERIAL:
HOUSING: NYLON, UL94V-0 (COLOR - NATURAL, COLOR OF PARTS MAY VARY).
CONTACTS: 0.25 THK COPPER ALLOY.
- 2 CONTACT FINISH: 0.003 MIN THK TIN-LEAD OVER 0.00127 MIN THK NICKEL OVER ENTIRE CONTACT.
- 3 CONTACT FINISH: 0.00076 MIN THK GOLD PLATE ON PIN MATING SURFACE, 0.003 MIN THK TIN-LEAD PLATE ON SOLDER TAIL, ALL OVER 0.00127 MIN THK NICKEL BASE PLATE.
- 4 SOLDER TAIL MEETS AMP SOLDERABILITY SPECIFICATION 109-11-2.
- 5 MATES WITH SIMILARLY PLATED AMP-DUAC™ POWER CONNECTOR RECEPTACLE HOUSINGS/SOCKET CONTACTS.
- 6 RIBS ON FOUR CORNERS OPTIONAL.
- 7 AMP LOGO AND MATERIAL ID MAY BE LOCATED ON EITHER LONG SIDE OF PART.
- 8 SIZE, SHAPE OR STYLE OF THIS FEATURE MAY VARY.
- 9 CONTACT FINISH: 0.003 MIN THK TIN OVER 0.00127 MIN THK NICKEL OVER ENTIRE CONTACT.
- 10 CONTACT FINISH: 0.00076 MIN THK GOLD PLATE ON PIN MATING SURFACE, 0.003 MIN THK TIN PLATE ON SOLDER TAIL, ALL OVER 0.00127 MIN THK NICKEL BASE PLATE.



RECOMMENDED MOUNTING HOLE PATTERN
FOR 1.78 MAX THICK P.C. BOARD
COMPONENT SIDE SHOWN



SUPERCEDED BY 1-794455-2

SUPERCEDED BY 1-794455-1

1	10	1	1	1-794455-2
1	9	1	1	1-794455-1
1	3	1	1	794455-2
1	2	1	1	794455-1
MATERIAL	FINISH	MATERIAL	COLOR	PART NO.

CONTACT		HOUSING	
THIS DRAWING IS A CONTROLLED DOCUMENT.			
DIMENSIONS:	TOLERANCES UNLESS OTHERWISE SPECIFIED:	DIN R VESTAL 27MAY98	Tyco Electronics Corporation Harrisburg, Pa 17105-3608
mm	0 PLC ± -	CHK R SWING 27MAY98	APPROVED CASH 27MAY98
	1 PLC ± 0.2	NAME ASSEMBLY, HEADER, VERTICAL, 20 POSITION, W/PEGS, W/DRAIN HOLES, 94V-0, AMP-DUAC	
	2 PLC ± 0.13	PRODUCT SPEC 108-1699	
	3 PLC ± -	APPLICATION SPEC	
	4 PLC ± -	SIZE A1	SCALE 5:1
	ANGLES ± 0.30°	WEIGHT -	SHEET 1 OF 1
MATERIAL SEE TABLE	FINISH SEE TABLE	CUSTOMER DRAWING	REV E